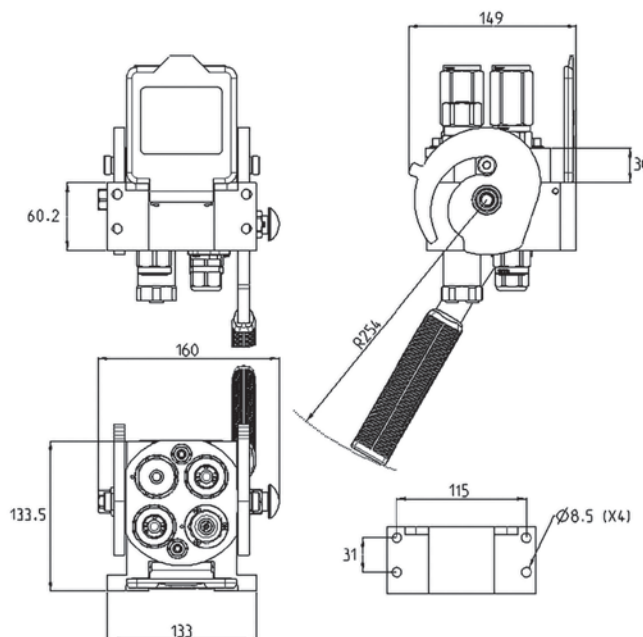




MF MultiGrease

MultiFaster with a special coupling for central lubrication systems and an electrical connector included.

Applications



Technical Specifications

dash	Size		Working Pressure (MPa)	Flow Rate (l/min)	Spillage (ml)	Burst pressure (MPa)		
	mm	inch				Male	Female	Male + Female
08	12.5	1/2"	25	70	0.01	100	100	110

Material	Aluminium; Steel
Seals	NBR; PUR
Working temperatures	- 25 °C to + 100 °C
Surface treatment	MATE 500 (CrIII); Paint

Valve Type	Flat
Connection	Lever
Disconnection	Lever
Connection Under Pressure	Allowed Residual



MultiGrease

Size					Thread Type					FIXED
dash	mm	inch	Housing	Number of Couplings	Thread Type	Standard	Thread	Electrical Connector N	Connector Type	Part Number
08	13	1/2"	4	2	F BSPP	ISO 1179-1	BSPP 1/2" FEMALE			3P508-A-2-1-A FC OIL GREASE
08	13	1/2"	4	1	F BSPP	ISO 1179-1	BSPP 1/8" FEMALE			
08	13	1/2"	4	1	F BSPP	ISO 1179-1	BSPP 1/8" FEMALE			
08	13	1/2"	4					1	7 PINS	

Size					Thread Type					MOBILE
dash	mm	inch	Housing	Number of Couplings	Thread Type	Standard	Thread	Electrical Connector N	Connector Type	Part Number
08	13	1/2"	4	2	F BSPP	ISO 1179-1	BSPP 1/2" FEMALE			3P508-A-3-A MC OIL GREASE
08	13	1/2"	4	1	F BSPP	ISO 1179-1	BSPP 1/8" FEMALE			
08	13	1/2"	4					1	7 PINS	

Spare Parts & Accessories

Female Half				Male Half					
Plates	Lever	Dust cover	Safety Lock	Plates	Seals male	Screws	Plugs	Guiding pins	Docking
					SK MF 12		KIT TSP 38 M		

